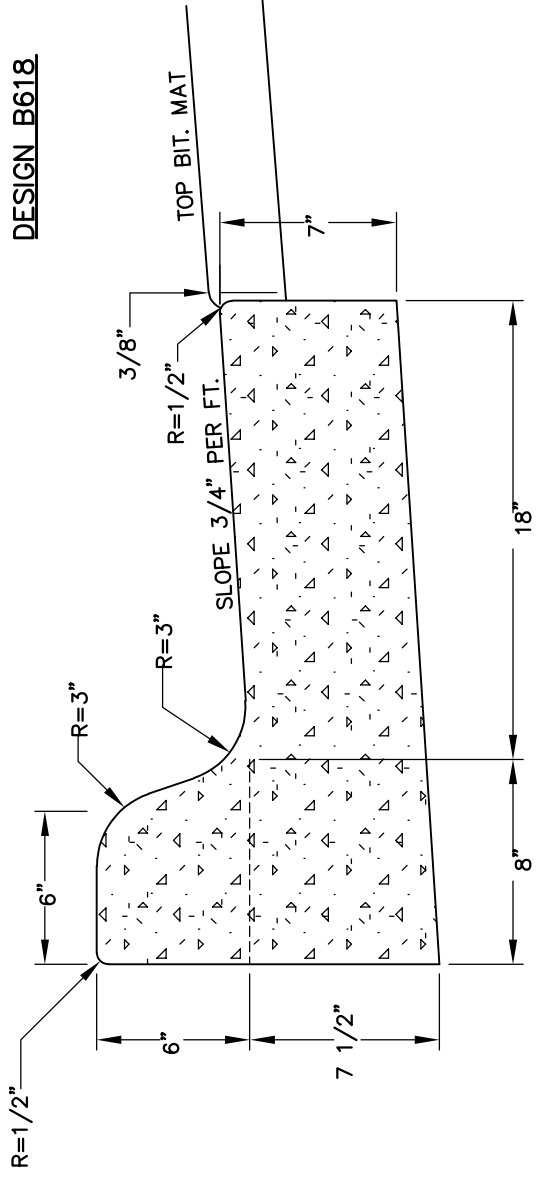
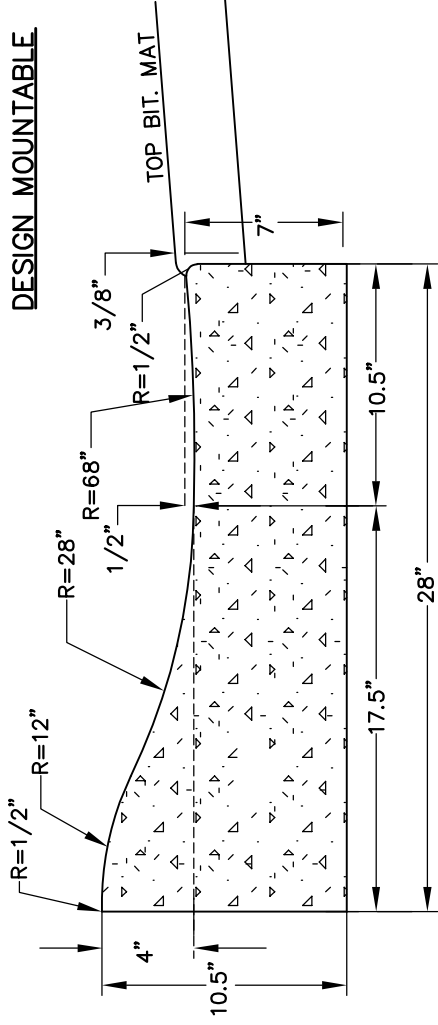


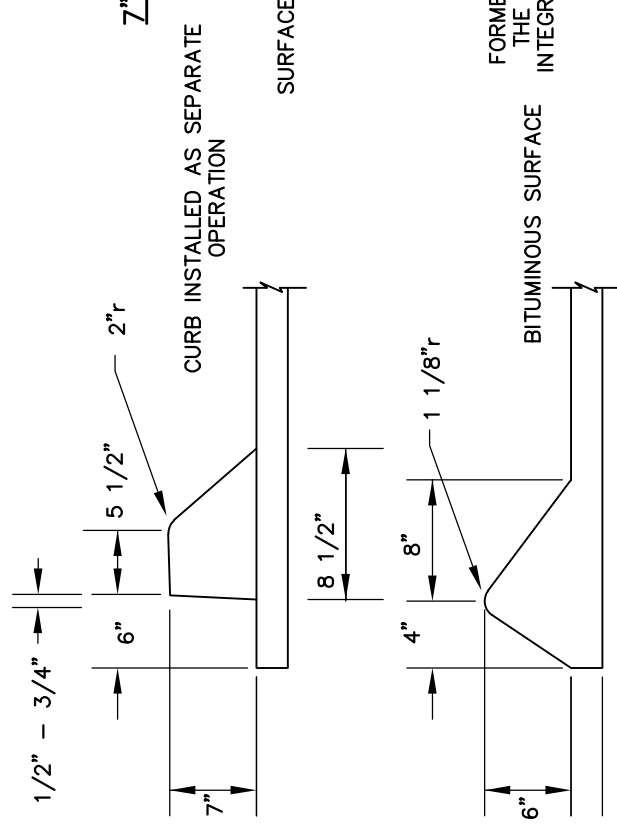
**DESIGN B618**



**DESIGN MOUNTABLE**



**7" BITUMINOUS CURB**



**6" SHOE FORMED BITUMINOUS CURB**

FORMED BY A SHOE ATTACHED TO THE PAVER, THEREBY BEING AN INTEGRAL PART OF THE BITUMINOUS SURFACE

**CURB SECTIONS**

CITY OF MAPLE GROVE ENGINEERING  
& PUBLIC WORKS DEPARTMENTS