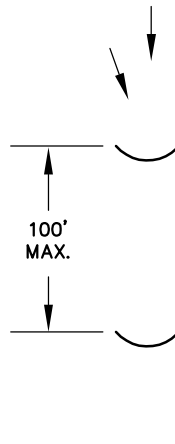


PLAN VIEW

SPACING REQUIREMENTS

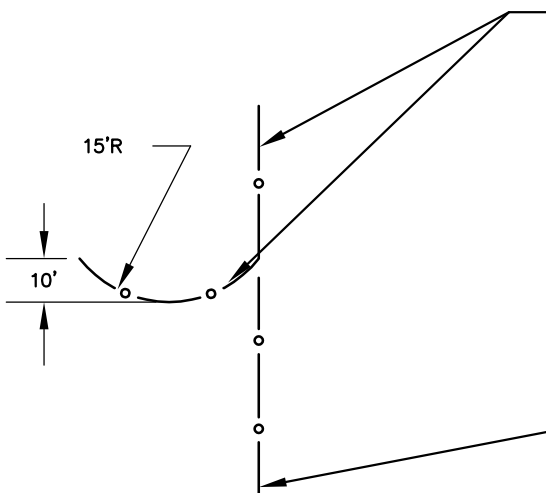
DIRECTION OF SURFACE FLOW



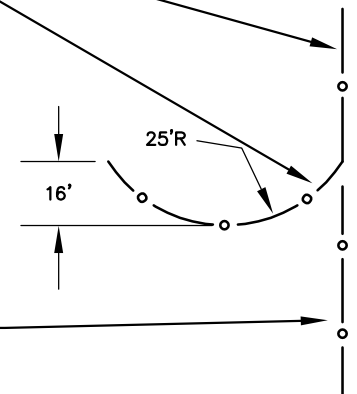
NOTE:
SPACING DISTANCES WILL VARY, BUT ARE NOT TO EXCEED 100 FEET

SIZING REQUIREMENTS:
J15, J25

UP-GRADIENT SILT FENCE AND J-HOOK ARE ONE CONTINUOUS LINE

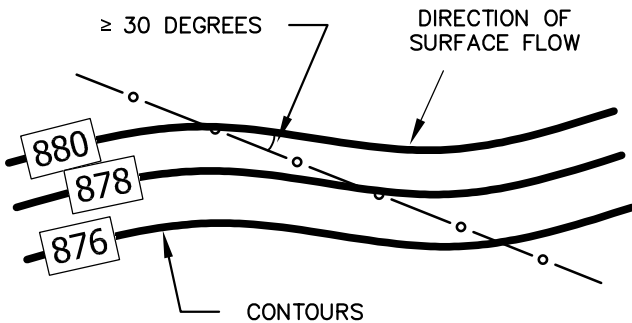


START DOWN GRADIENT SILT FENCE LINE AS CLOSE AS POSSIBLE TO THE UP-GRADIENT J-HOOK



J15 - FOR CATCHMENT AREA < 0.25 ACRES

J25 - FOR CATCHMENT AREA ≥ 0.25 ACRES



NOTE:
J-HOOKS SHALL BE USED WHEN THE SILT FENCE IS INSTALLED AT AN ANGLE OF 30' OR GREATER FROM PARALLEL TO THE CONTOURS