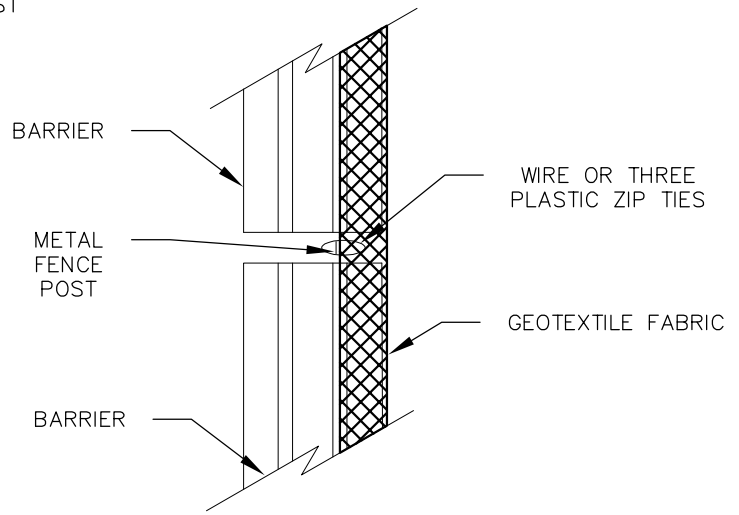
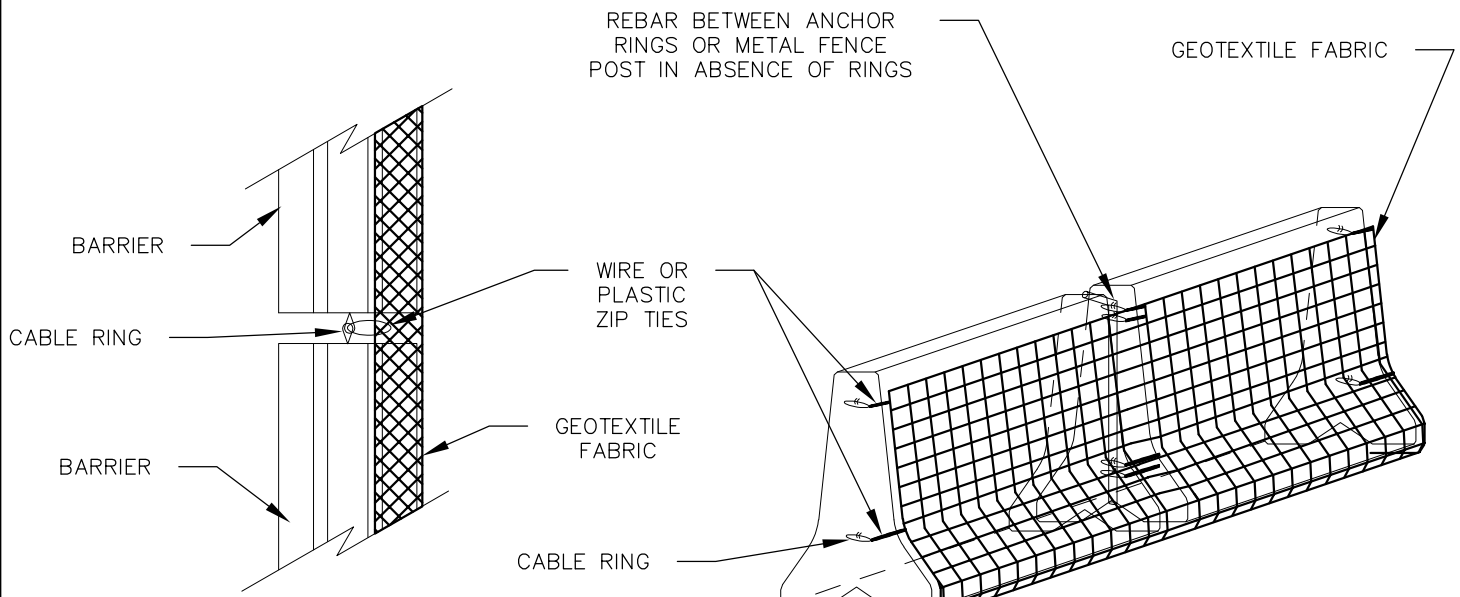


SIDE VIEW



TOP VIEW

BARRIER WITHOUT CABLE RINGS



TOP VIEW

3D VIEW

BARRIER WITH CABLE RINGS SILT FENCE, SUPER DUTY



LAST REVISION
NOVEMBER 2014

SUPER DUTY PERIMETER CONTROL SILT FENCE / CONCRETE BARRIER SYSTEM

CITY OF MAPLE GROVE ENGINEERING
& PUBLIC WORKS DEPARTMENTS

STANDARD
PLATE #
EROS-4