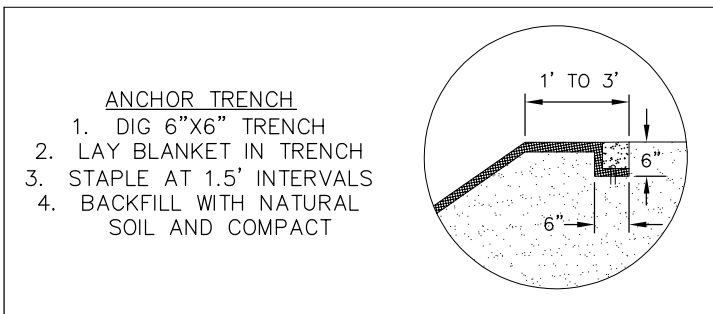


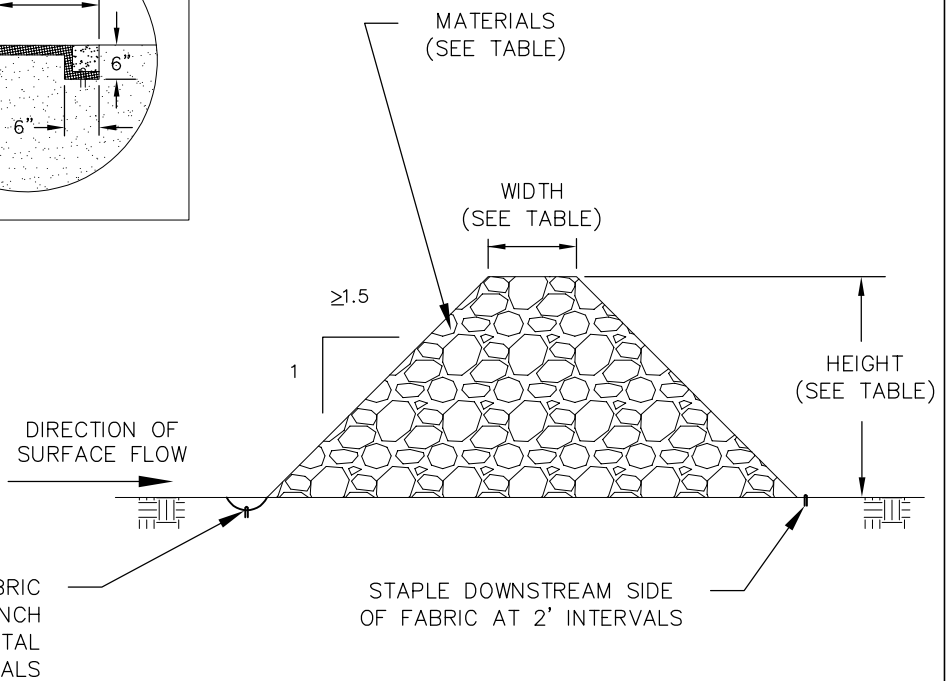
NOTE:
 POINT 1 MUST BE A MINIMUM OF 6" HIGHER THAN POINT 2 TO ENSURE THAT WATER FLOWS OVER THE DITCH CHECK AND NOT AROUND THE ENDS

	HEIGHT (INCHES)	WIDTH (INCHES)	MATERIAL
SMALL CHECK	24	12-18	MNDOT 3601 CLASS II RIP RAP
LARGE CHECK	36	24-30	MNDOT 3601 CLASS III RIP RAP
ROCK WEEPER	18	6-12	MNDOT 3882 TYPE 9 MULCH (1 1/2" WASHED ROCK)



ANCHOR TRENCH

1. DIG 6"x6" TRENCH
2. LAY BLANKET IN TRENCH
3. STAPLE AT 1.5' INTERVALS
4. BACKFILL WITH NATURAL SOIL AND COMPACT



ROCK DITCH CHECK / WEEPER SIZING & MATERIALS

STANDARD
 PLATE #
 EROS-9

LAST REVISION
 NOVEMBER 2014

CITY OF MAPLE GROVE ENGINEERING
 & PUBLIC WORKS DEPARTMENTS