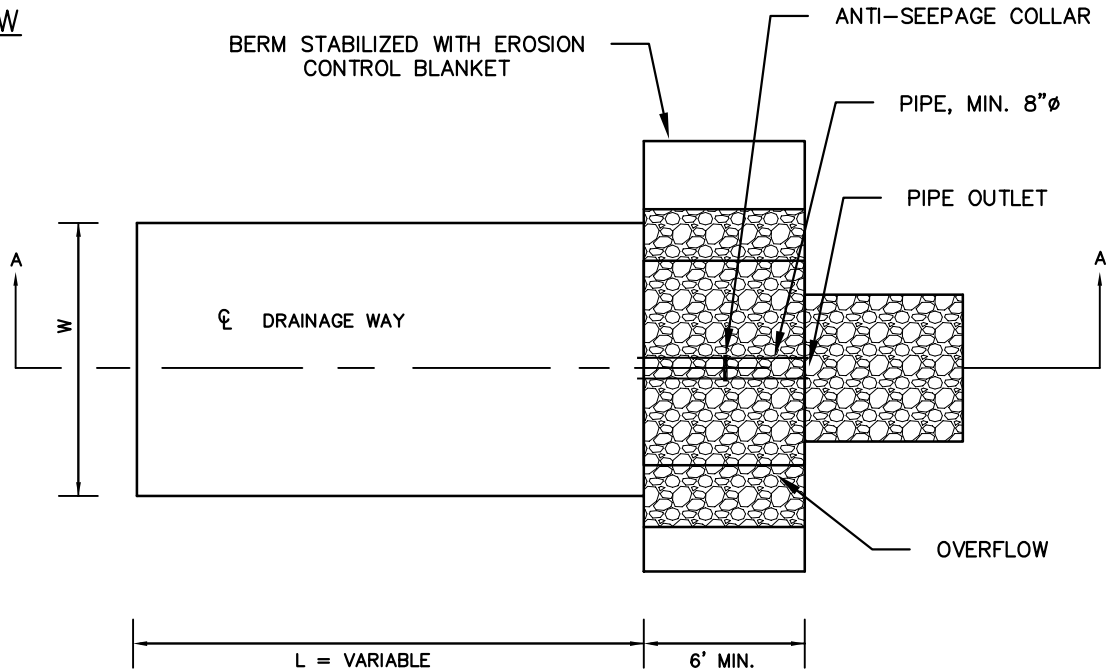
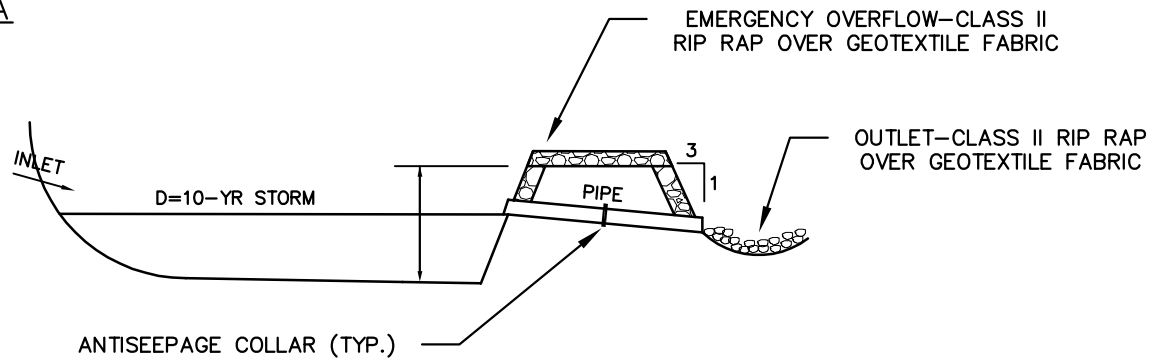


PLAN VIEW



SECTION A-A



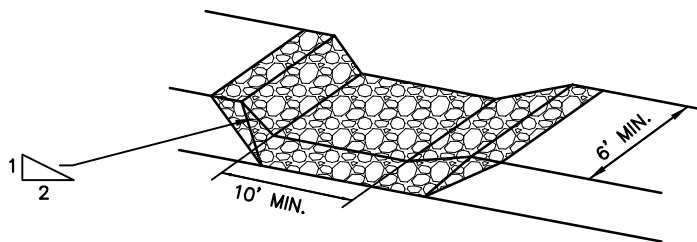
**NOTE:**  
 BASIN USED FOR 10 ACRE  
 DRAINAGE AREA OR MORE

DESIGN RUNOFF VOLUME IS  
 FROM A 2-YR, 24-HR  
 STORM PER ACRE DRAINED  
 TO THE BASIN

BASIN VOLUME MUST BE A  
 MINIMUM OF 1800 CUBIC  
 FEET/ACRE

SEE PLANS/SPECIFICATIONS  
 FOR BASIN DIMENSIONS AND  
 PIPE SIZE AND SLOPE

BASIN EMERGENCY  
 OVERFLOW



LAST REVISION  
 NOVEMBER 2014

**TEMPORARY SEDIMENTATION BASIN  
 PIPE OUTLET**

CITY OF MAPLE GROVE ENGINEERING  
 & PUBLIC WORKS DEPARTMENTS

STANDARD  
 PLATE #  
 EROS-14