

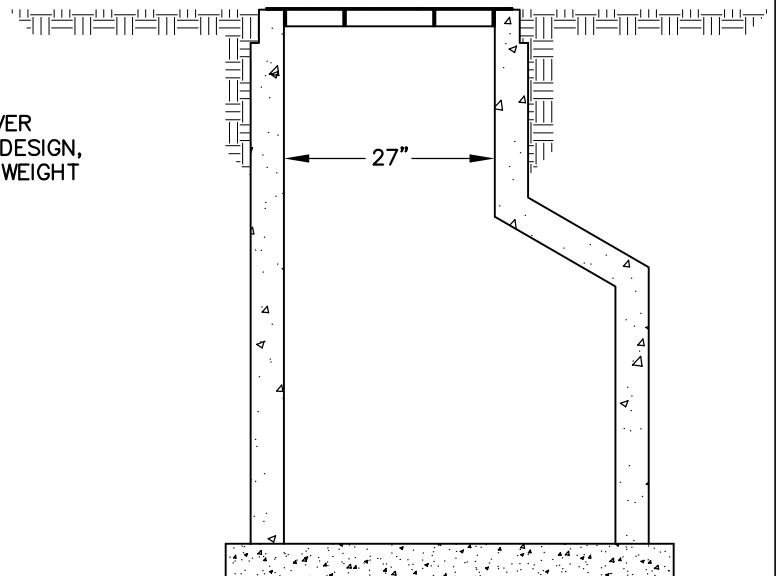
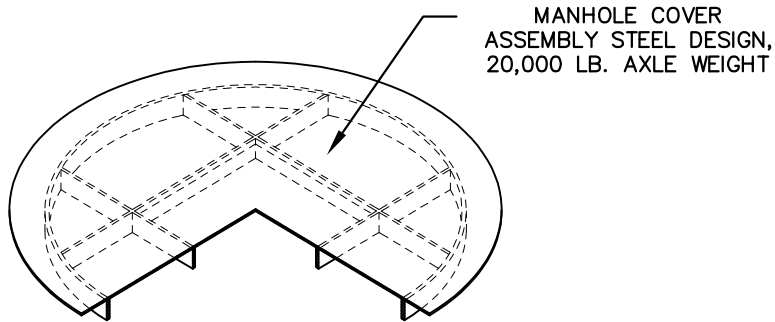
SPECIFICATIONS AND STANDARDS

AISC MANUAL OF STEEL CONSTRUCTION, 9TH EDITION
 AWS STRUCTURAL WELDING CODE – STEEL, D1.1-94
 29 CFR 1926 – OSHA SAFETY AND HEALTH STANDARDS

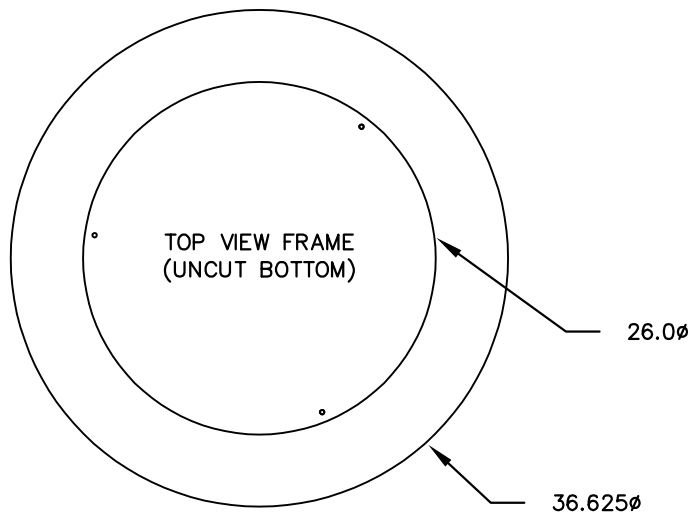
DESIGN LOADS

ALLOWABLE AXLE WEIGHT LOAD – 20,000 LBS

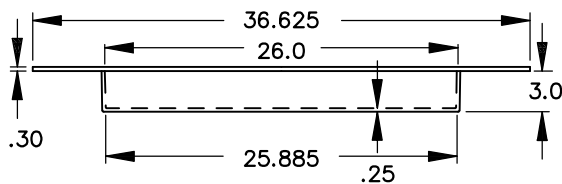
SAFETY FACTOR – 2:1



WIMCO, LLC
SP-27 SANITARY PROTECTIVE COVER



SIDE VIEW



NOTES:

UNCUT FRAME CAN BE UTILIZED IN CONJUNCTION WITH STEEL PLATE ON CONSTRUCTION SITES TO TRAP SEDIMENTS, KEEPING MANHOLES AND PIPELINES FREE OF DEBRIS.



27" MANHOLE PROTECTIVE COVER

STANDARD
 PLATE #
 SS-5

LAST REVISION
 NOVEMBER 2014

CITY OF MAPLE GROVE ENGINEERING
 & PUBLIC WORKS DEPARTMENTS