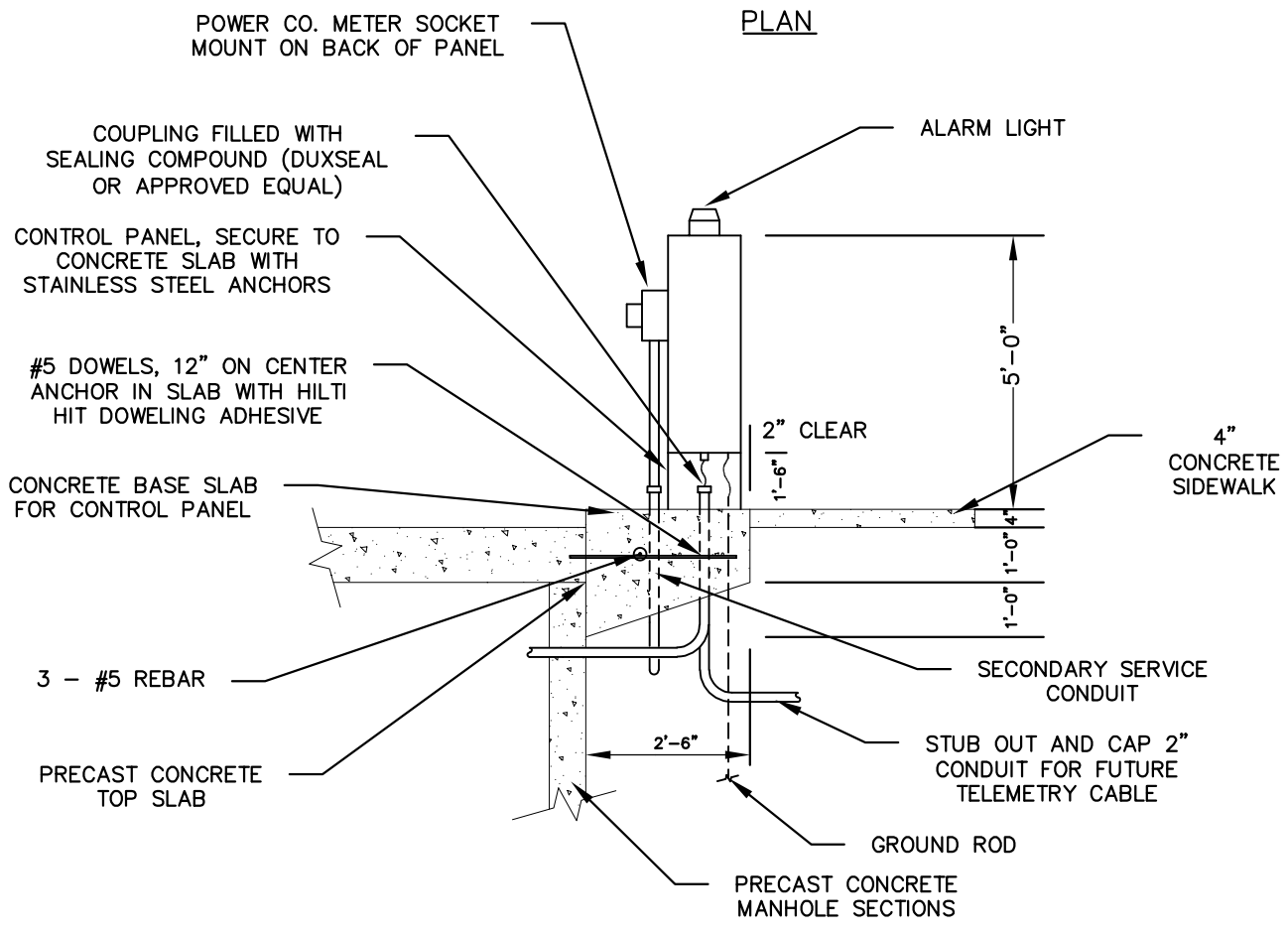


PLAN



SECTION

NOTES:

FINAL DESIGN OF SERVICE PANEL TO BE REVIEWED AND APPROVED BEFORE PRODUCTION BY THE CITY OF MAPLE GROVE.



SERVICE PANEL

STANDARD
PLATE #
SS-8

LAST REVISION
NOVEMBER 2014

CITY OF MAPLE GROVE ENGINEERING
& PUBLIC WORKS DEPARTMENTS