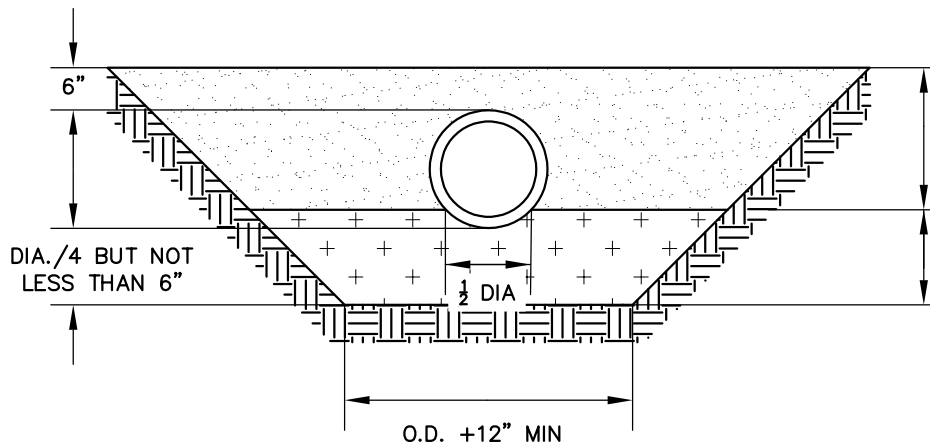
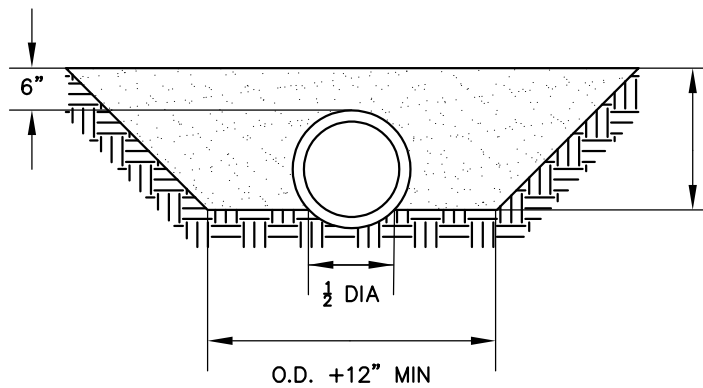


COMPACTED
BACKFILL

COURSE FILTER AGGREGATE
MNDOT SPEC 3149H.



NOTES:

"DIA" DENOTES OUTSIDE DIAMETER OF PIPE

BEDDING SHALL CONFORM TO ASTM C1479, WITH BACKFILL CONSISTING OF ENGINEER APPROVED NATIVE, OR SELECT GRANULAR MATERIAL MEETING MN/DOT 3149-B1 OR 3149-H



PIPE BEDDING METHODS FOR RCP OR DIP

STANDARD
PLATE #
SS-14

LAST REVISION
JANUARY 2024

CITY OF MAPLE GROVE ENGINEERING
& PUBLIC WORKS DEPARTMENTS