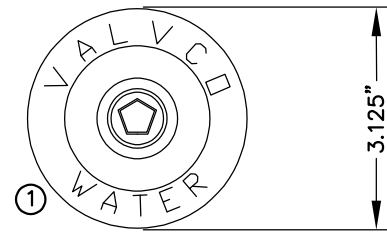
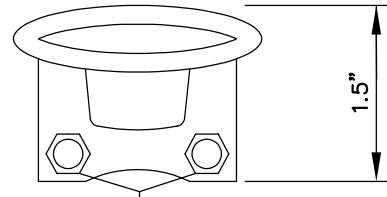


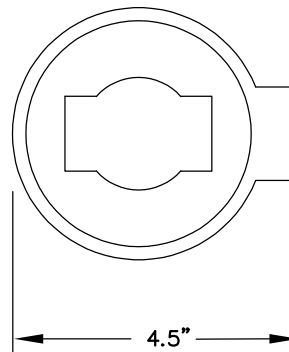
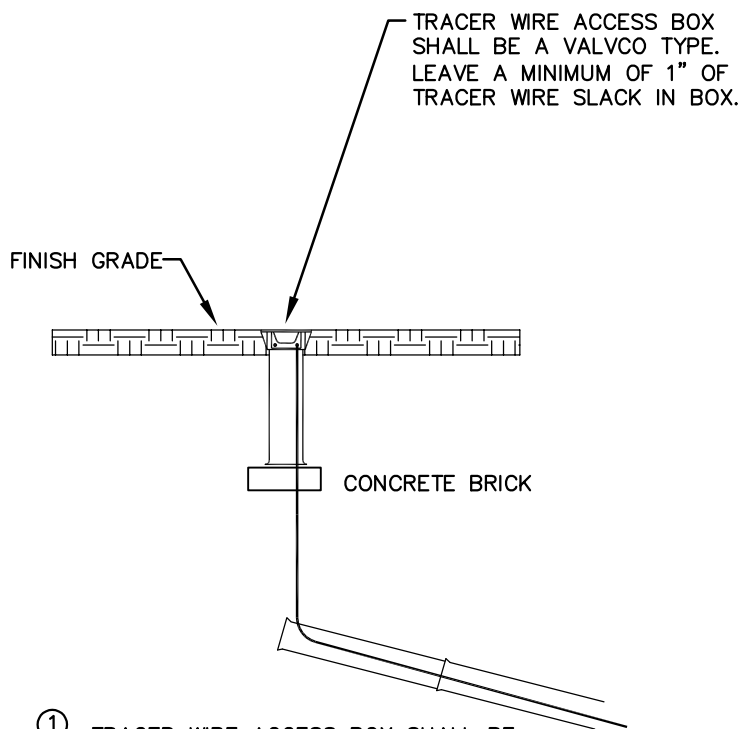
COMPLETE BOX SIDE VIEW



LID TOP VIEW



STAINLESS STEEL
TERMINAL BOLTS
LID SIDE VIEW



COLLAR VIEW TOP

- ① TRACER WIRE ACCESS BOX SHALL BE MANUFACTURED WITH THE FOLLOWING TEXT AND COLOR
- WATER = BLUE
 - STORM SEWER = GREEN
 - SANITARY SEWER = GREEN
 - ALL OTHER UTILITIES SHALL HAVE NO TEXT AND BE PAINTED BY THE CONTRACTOR IN THE FIELD WITH ENAMEL PAINT CONSISTENT WITH THE AMERICAN PUBLIC WORKS ASSOCIATION COLOR CODE.

NOTES:

CASTING CONFORMS TO: ASTM SPECIFICATION A-48 CLASS 30

ABS SHAFT CONFORMS TO: ASTM SPECIFICATIONS D-1788

TRACER WIRE ACCESS BOXES SHALL BE MANUFACTURED BY CP TEST SERVICES - VALVCO, INC.