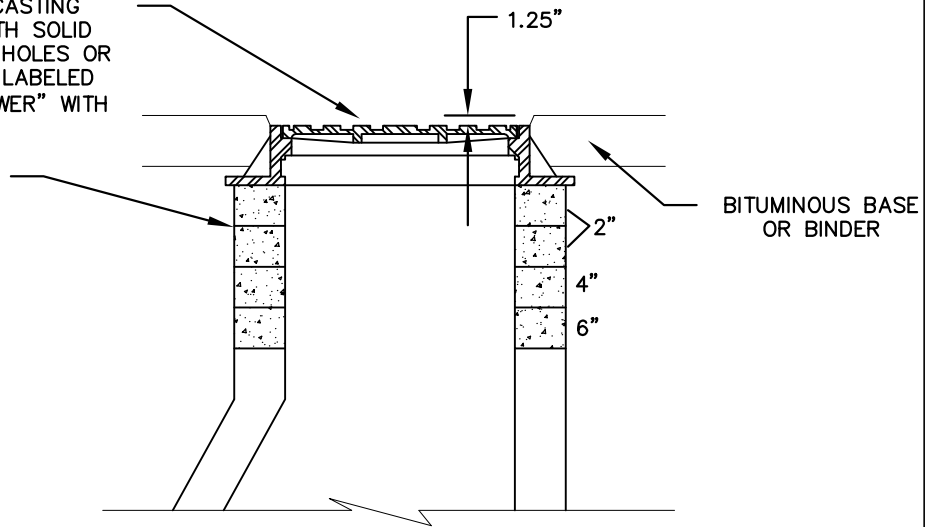


NEENAH MANHOLE FRAME AND CASTING R-1642, SELF SEALING B LID, WITH SOLID COVER AND TWO CONCEALED PICK HOLES OR APPROVED EQUAL. LID SHALL BE LABELED "SANITARY SEWER" OR "STORM SEWER" WITH 2" RAISED LETTERS

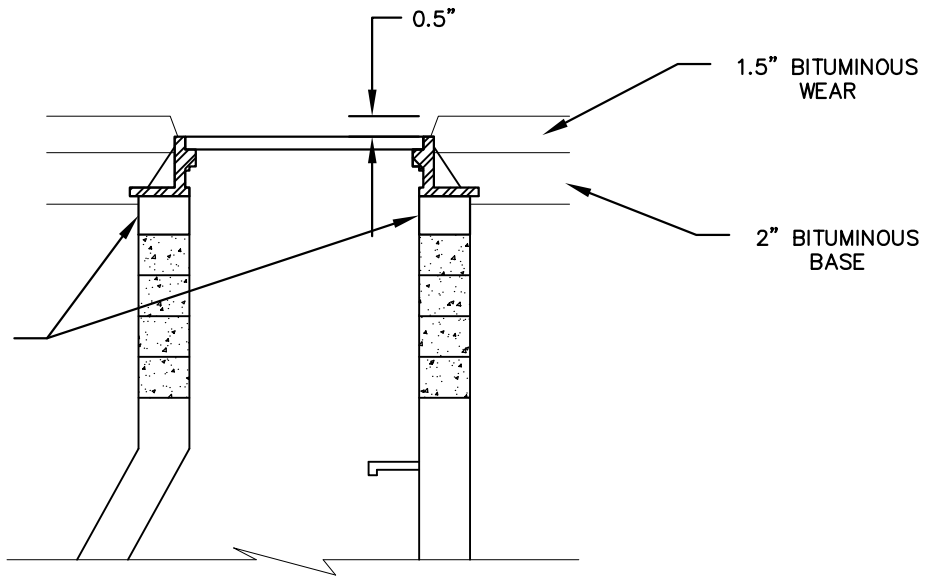
CONCRETE ADJUSTMENT RINGS SHALL BE SEALED TO THE CONE, CASTING, AND ONE ANOTHER BY USING A PREPACKAGED MOTOR MIX OR MFG SPECIFIED MIX FOR NON-CONCRETE RINGS. TOTAL ADJUSTMENT MINIMUM 4" MAX 14".



NOTES:

2-PIECE OR CAST IRON ADJUSTING RINGS ARE NOT ALLOWED

SANITARY SEWER MANHOLES WILL REQUIRE AN I & I BARRIER AS PER STD PLATE SS-17.



FOR PROJECTS WHERE THE WEAR COURSE WILL BE PLACED IN THE FOLLOWING YEAR, MANHOLES WITHIN THE STREET ARE REQUIRED TO BE ADJUSTED TWICE. ONCE AFTER THE BASE LIFT OF BITUMINOUS, AND AGAIN PRIOR TO BITUMINOUS WEAR COURSE.

FOR PROJECTS WHERE BASE AND WEAR COURSE BEING PLACED IN THE SAME YEAR, ONLY ONE ADJUSTMENT IS REQUIRED, BUT MANHOLES AND VALVE BOXES SHALL BE PROTECTED WITH RUBBER MANHOLE SAFETY RAMPS UNTIL FINAL WEAR COURSE IS PLACED.

BITUMINOUS WEAR COURSE ADJUSTMENT DETAIL



LAST REVISION
JANUARY 2019

**MANHOLE CASTING ADJUSTMENT
DETAIL**

CITY OF MAPLE GROVE ENGINEERING
& PUBLIC WORKS DEPARTMENTS

STANDARD
PLATE #
STR-9