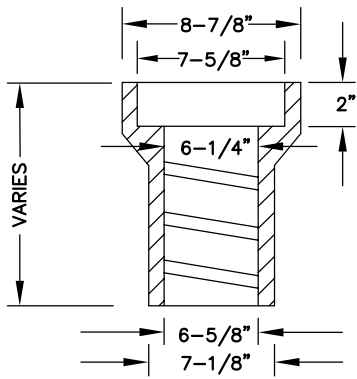
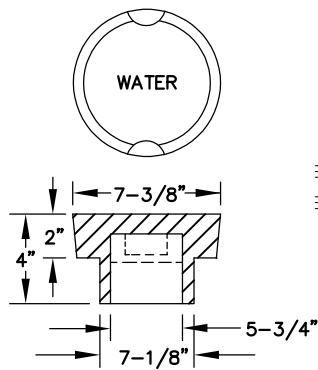


TOP SECTION



DROP LID

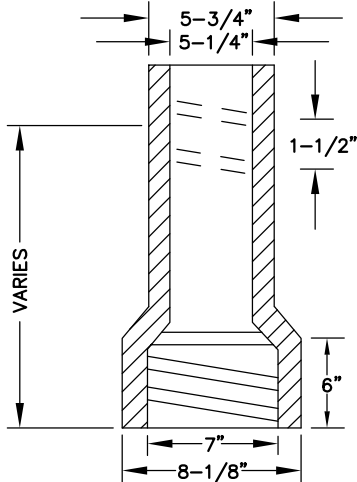


7.5' MINIMUM COVER REQUIRED OVER TOP OF WATER MAIN

FINISH GRADE

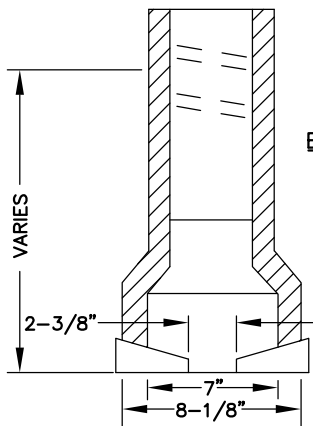
ADJUST TOP TO 1/2" BELOW GRADE. BOX TO BE SET TO PROVIDE 12" OF ADJUSTMENT

EXTENSIONS

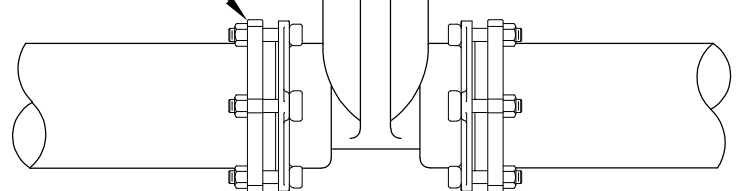


RESILIENT WEDGE GATE VALVE CONFORMING TO AWWA C-509-80 STANDARDS WITH 316 STAINLESS STEEL BOLTS

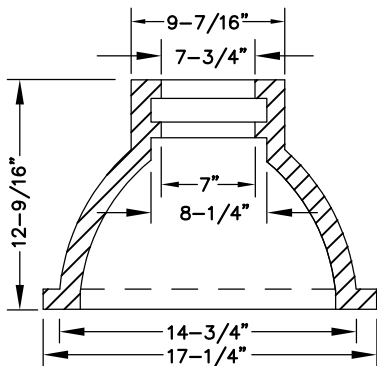
BOTTOM SECTION



RESTRAINT FITTING (TYP.)



#6 ROUND BASE



NOTES:

- ALL SECTIONS SHALL BE TYLER 6860 G OR SIGMA VB261 OR VB268 WITH 1/4" WALL THICKNESS
- ALL BOLTS INCLUDING T-BOLTS SHALL BE COR-BLUE OR STAINLESS STEEL 316 GRADE
- DROP LID SHALL EITHER BE A TYLER NO. 6865 OR SIGMA LABELED WATER
- NO SCREW IN TOP SECTIONS OR ADJUSTING RINGS ARE ALLOWED



LAST REVISION
NOVEMBER 2014

GATE VALVE AND BOX INSTALLATION

CITY OF MAPLE GROVE ENGINEERING
& PUBLIC WORKS DEPARTMENTS

STANDARD
PLATE #
WM-2