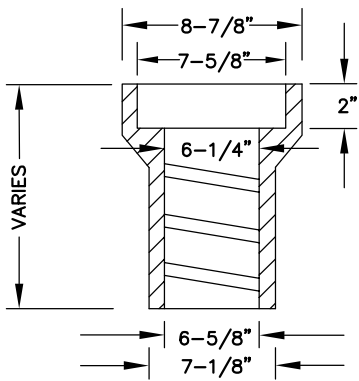
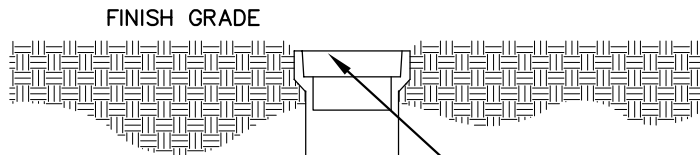


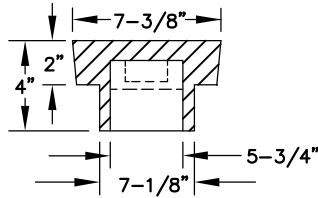
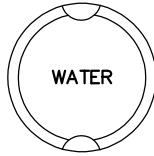
**TOP SECTION**



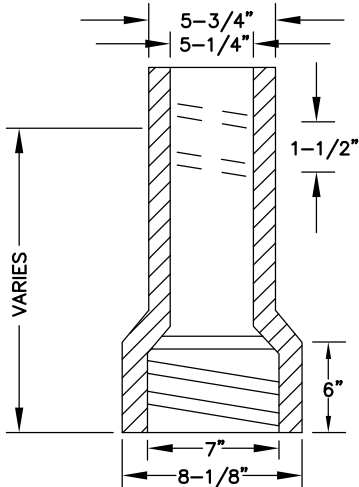
7.5' MINIMUM COVER REQUIRED OVER TOP OF WATER MAIN



**DROP LID**



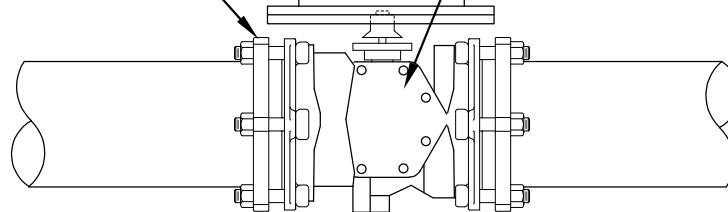
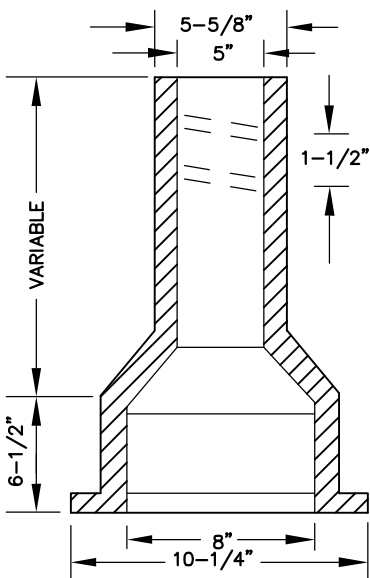
**EXTENSIONS**



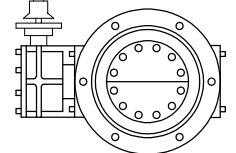
RESTRAINT FITTING (TYP.)

BUTTERFLY VALVE (12" OR LARGER)

**BOTTOM SECTION**



END VIEW



NOT TO SCALE

**NOTES:**

ALL SECTIONS SHALL BE TYLER 6860 G OR SIGMA VB261 OR VB268 WITH 1/4" WALL THICKNESS

ALL BOLTS INCLUDING T-BOLTS SHALL BE COR-BLUE OR STAINLESS STEEL 316 GRADE

DROP LID SHALL EITHER BE A TYLER NO. 6865 OR SIGMA LABELED WATER

NO SCREW IN TOP SECTIONS OR ADJUSTING RINGS ARE ALLOWED



LAST REVISION  
NOVEMBER 2014

**BUTTERFLY VALVE AND BOX  
INSTALLATION**

CITY OF MAPLE GROVE ENGINEERING  
& PUBLIC WORKS DEPARTMENTS

STANDARD  
PLATE #  
WM-3